



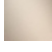



13 612 705

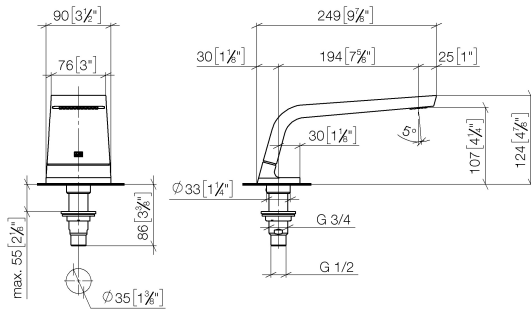


- 200mm projection
- rectangular spray pattern with 55 individual jets
- height of mixer 125 mm
- height up to aerator 108 mm
- hole diameter 35 mm
- 1/2" connection
- max. flow 24.6 l/min at 3 bar flow pressure

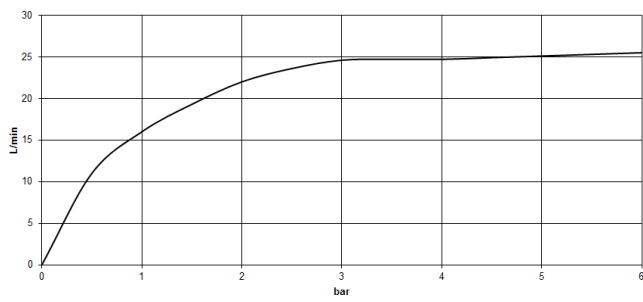
| | | |
|---|-------------------------------|---------------|
|  | Brushed Dark Platinum | 13 612 705-99 |
|  | Chrome | 13 612 705-00 |
|  | Brushed Platinum | 13 612 705-06 |
|  | Dark Chrome | 13 612 705-19 |
|  | Brushed Champagne (22kt Gold) | 13 612 705-46 |
|  | Champagne (22kt Gold) | 13 612 705-47 |

13 612 705

mm [inches]



Flow rate chart

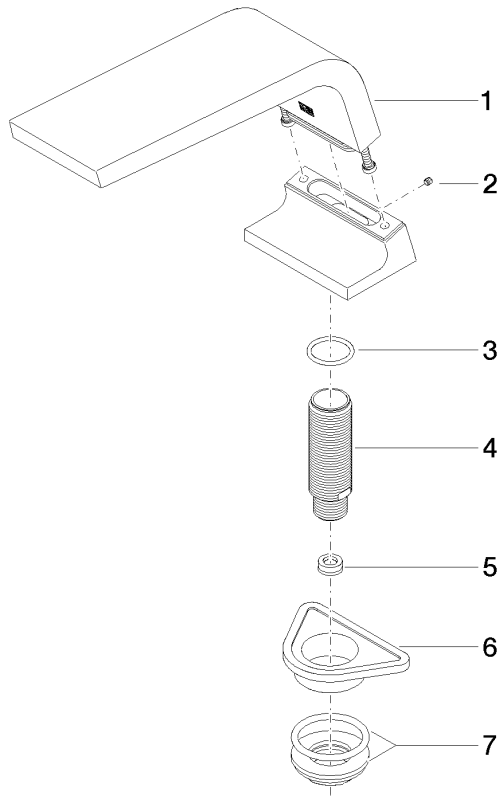


Certificates

WRAS_1512010. LGA_28684. IAPMO_4976 (4).

13 612 705

Parts for other finishes can be found here: [Chrome](#)



Spare parts list

| No. | Item Number | Name | Quantity used | Delivery time |
|--|--------------------|--------------|---------------|---------------|
| 1 | 90 11 70 007 00-99 | spout | 1 | - |
| Spare part can no longer be ordered, please order the replacement item | | | | |
| 2 | 09 31 11 099 90 | pin | 1 | 2 |
| 3 | 09 14 10 009 90 | seal | 1 | 2 |
| 4 | 09 30 01 117 90 | connection | 1 | 2 |
| 5 | 09 23 01 057 90 | flow reducer | 1 | 2 |
| 6 | 09 18 40 090 90 | sleeve | 1 | 2 |
| 7 | 04 23 10 004 03 90 | fixing set | 1 | 2 |